

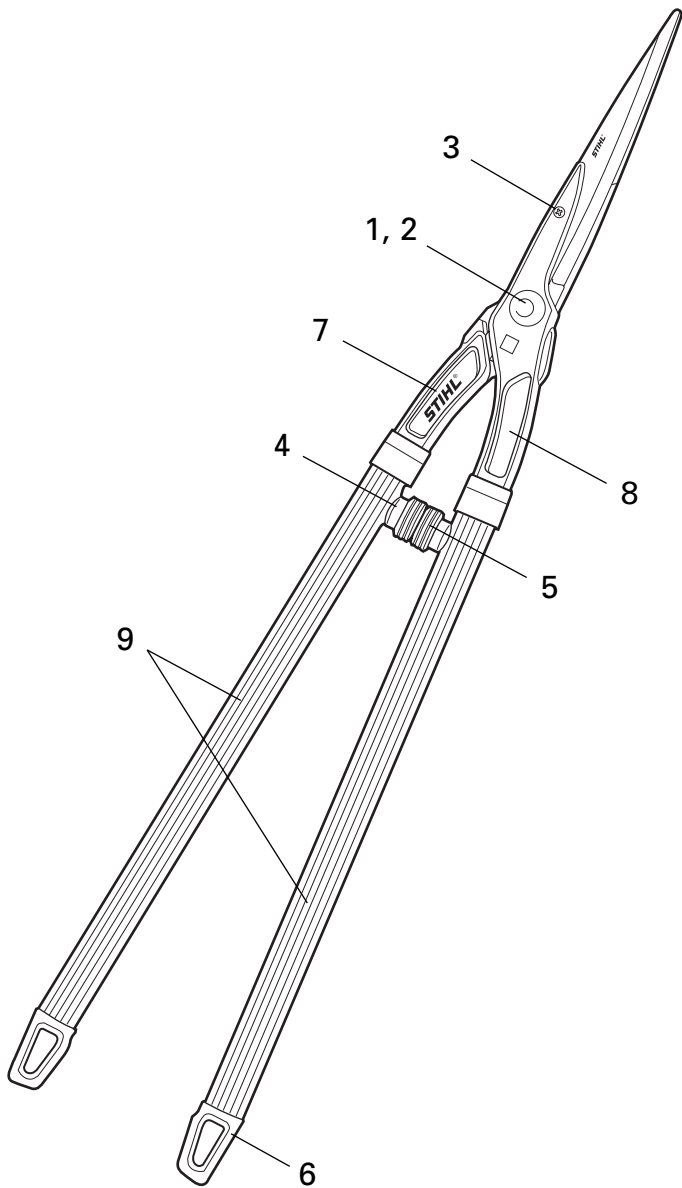
# STIHL Precision Series™ Hand Tools

## Spare Parts List

A	PH 80 Hedge Shear	M	PP 900/700 Pole Pruner Head Assembly
B	PL 10 Lopper	N	PP 900 Pole Pruner Head Parts
C	PL 30 Lopper	O	PS 10 Pruning Saw
D	PL 40 Lopper	P	PS 30 Pruning Saw
E	PP 100 Extended Reach Pruner	Q	PS 40 Pruning Saw
F	PP 10 Pruning Shear	R	PS 60 Pruning Saw
G	PP 30 Pruning Shear	S	PS 70 Pruning Saw
H	PP 40 Pruning Shear	T	PS 90 Pruning Saw
I	PP 70 Pruning Shear	U	PP 780 Pole Saw
J	PP 80 Pruning Shear	V	PP 700 Pole
K	PP 900 Pole Pruner Set	W	PS 80 Pole Saw Head
L	PP 900 Pole Pruner Saw Head Assembly	X	PA Axes

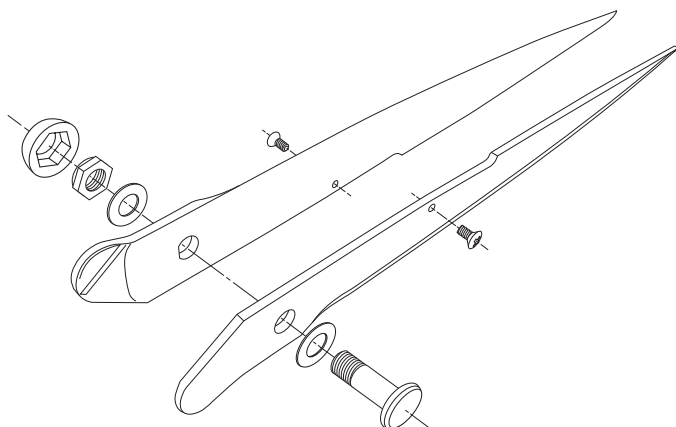
Inside Front Cover Blank

Please remove this text before printing



- 1 0000 882 1600 Hex Bolt, Washer & Nut
- 2 0000 882 0200 Pivot Cap
- 3 0000 882 1601 Oval Head Screw
- 4 0000 882 1500 Bumper Socket & Screw
- 5 0000 882 1700 Rubber Cushion (Bumper)
- 6 0000 882 4500 Plastic Insert
- 7 0000 882 2801 Blade Holding Handle (left)
- 8 0000 882 2802 Blade Holding Handle (right)
- 9 0000 882 1300 Aluminum Handle

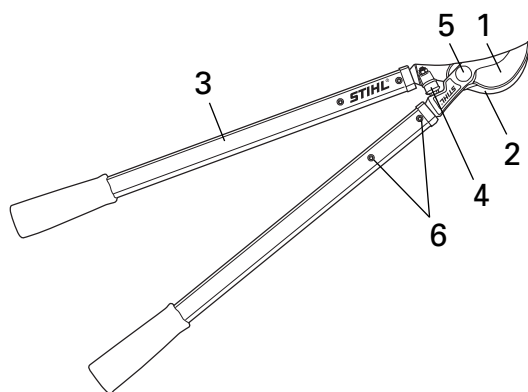
PH 80 Replacement Blade Set



- 0000 882 3002 Replacement Blade Set includes Both Blades, Hex Bolt, Washers & Nut, Pivot Cap and Oval Head Screws (Accessory Item)

Illustration B

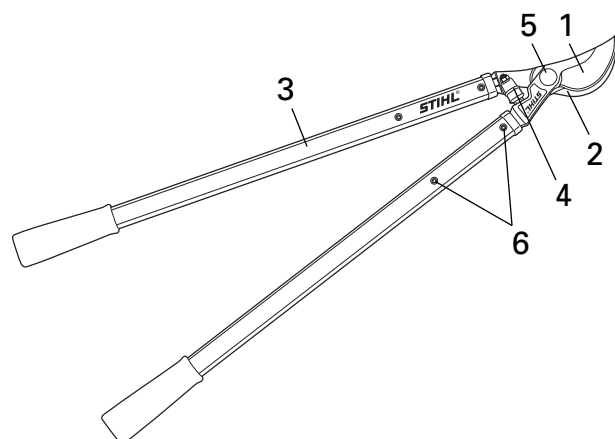
**PL 10 Lopper**



1	0000 882 3003	Replacement Blade (includes Locknut)
2	0000 882 4600	Replacement Hook (includes Locknut and Bumper Assembly)
3	0000 882 4700	Aluminum Handle (includes Bolts, Locknuts, Grip and Handle Cap)
4	0000 882 1501	Bumper Assembly (includes Locknut)
5	0000 882 4800	Center Bolt (includes Locknut)
6	0000 882 4801	Handle Bolt and Locknut

Illustration C

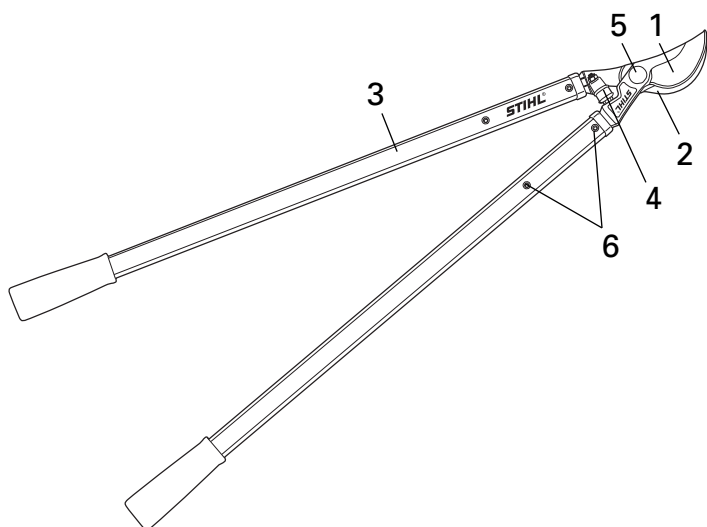
**PL 30 Lopper**



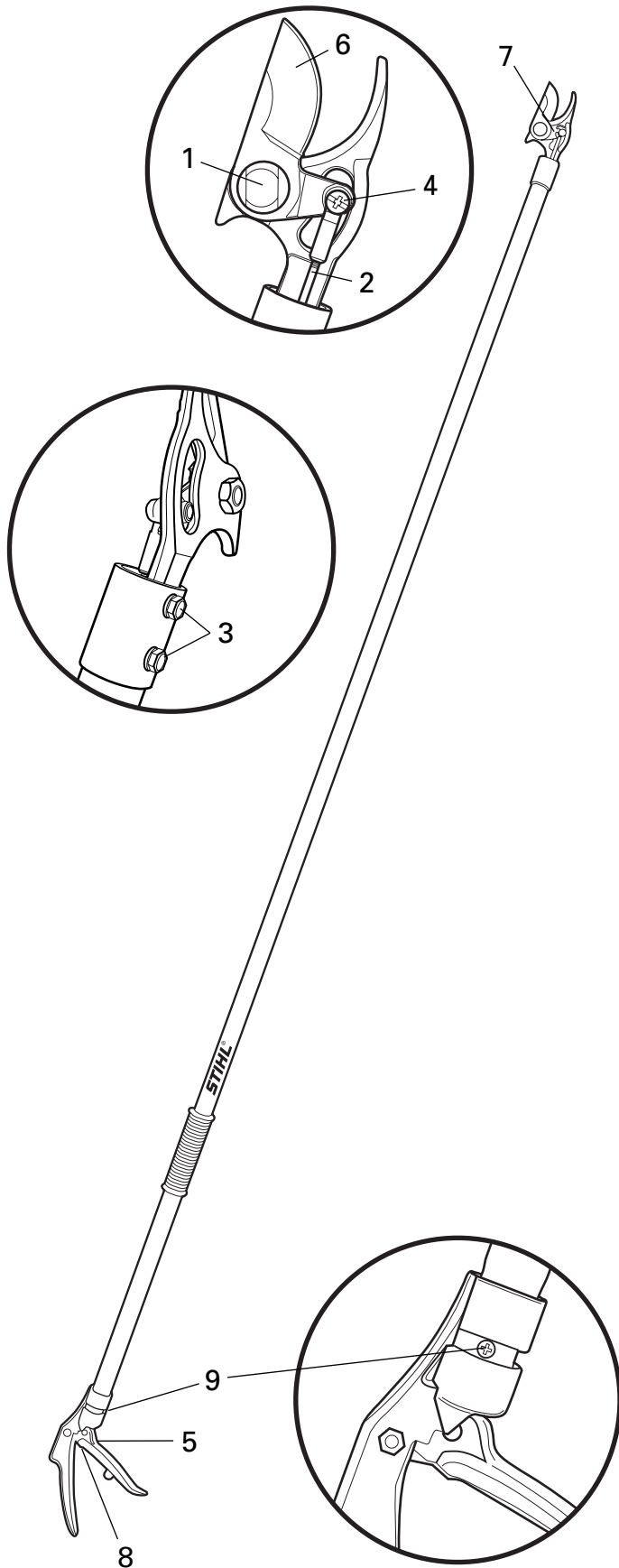
1	0000 882 3004	Replacement Blade (includes Locknut)
2	0000 882 4601	Replacement Hook (includes Locknut and Bumper Assembly)
3	0000 882 4701	Aluminum Handle (includes Bolts, Locknuts, Grip and Handle Cap)
4	0000 882 1501	Bumper Assembly (includes Locknut)
5	0000 882 4800	Center Bolt (includes Locknut)
6	0000 882 4801	Handle Bolt and Locknut

Illustration D

**PL 40 Lopper**

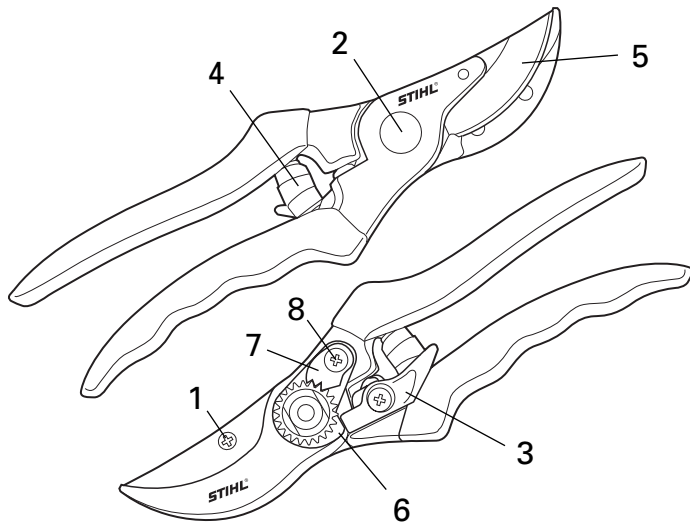


1	0000 882 3004	Replacement Blade (includes Locknut)
2	0000 882 4601	Replacement Hook (includes Locknut and Bumper Assembly)
3	0000 882 4702	Aluminum Handle (includes Bolts, Locknuts, Grip and Handle Cap)
4	0000 882 1501	Bumper Assembly (includes Locknut)
5	0000 882 4800	Center Bolt (includes Locknut)
6	0000 882 4801	Handle Bolt and Locknut



- |   |               |  |
|---|---------------|--|
| 1 | 0000 882 4802 | Bolt and Nut   |
| 2 | 0000 882 3101 | Replacement Rod  |
| 3 | 0000 882 1617 | Blade Holding Bolts and Washers                                |
| 4 | 0000 882 1616 | Screw and Nut  |
| 5 | 0000 882 4703 | Handle Assembly  |
| 6 | 0000 881 3663 | Replacement Cutting Blade                                      |
| 7 | 0000 881 3662 | Cutting Head Assembly (complete)                               |
| 8 | 0000 882 2803 | Handle Spring (not visible in illustration)                    |
| 9 | 7010 881 3602 | Replacement Handle Stop Screw (use of thread lock recommended) |

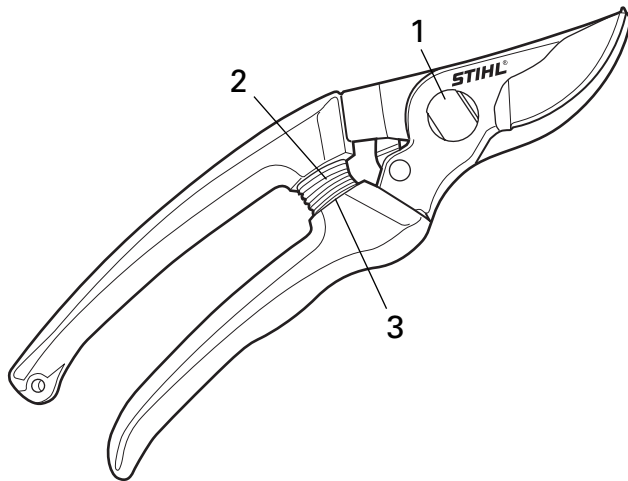
Illustration F



**PP 10 Pruning Shear**

- |   |               |                            |
|---|---------------|----------------------------|
| 1 | 0000 882 1606 | Blade Screw                |
| 2 | 0000 882 1607 | Bolt and Nut               |
| 3 | 0000 882 2200 | Latch Lock Set             |
| 4 | 0000 882 1802 | Spring                     |
| 5 | 0000 882 2001 | Blade                      |
| 6 | 0000 882 1502 | Stopper Plate              |
| 7 | 0000 882 1200 | Adjusting Gear Plate       |
| 8 | 0000 882 1201 | Adjusting Gear Plate Screw |

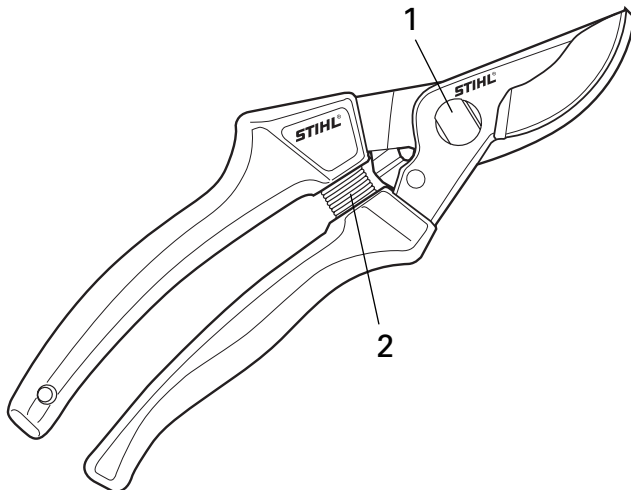
Illustration G



**PP 30 Pruning Shear**

- |   |               |               |
|---|---------------|---------------|
| 1 | 0000 882 1603 | Bolt and Nut  |
| 2 | 0000 882 1800 | Spring        |
| 3 | 0000 882 1701 | Rubber Bumper |

Illustration H

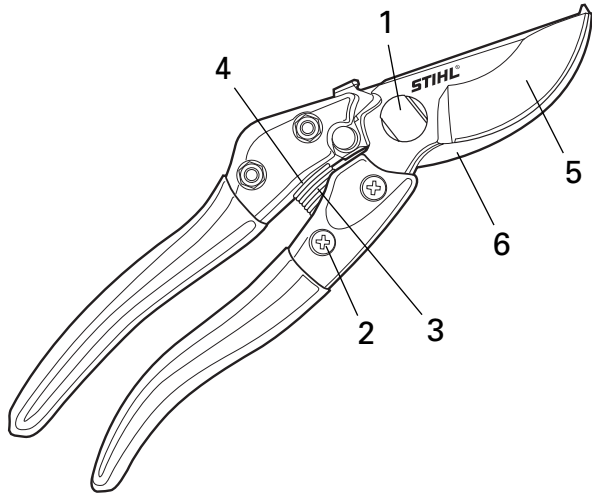


**PP 40 Pruning Shear**

- |   |               |              |
|---|---------------|--------------|
| 1 | 0000 882 1603 | Bolt and Nut |
| 2 | 0000 882 1801 | Spring       |

Illustration I

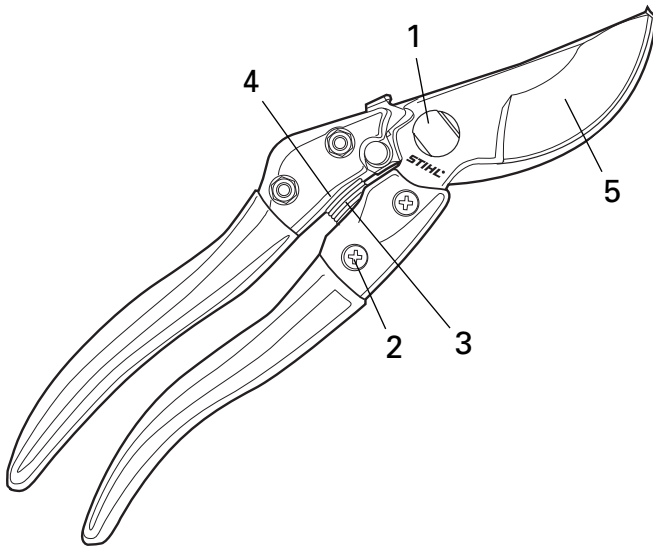
**PP 70 Pruning Shear**



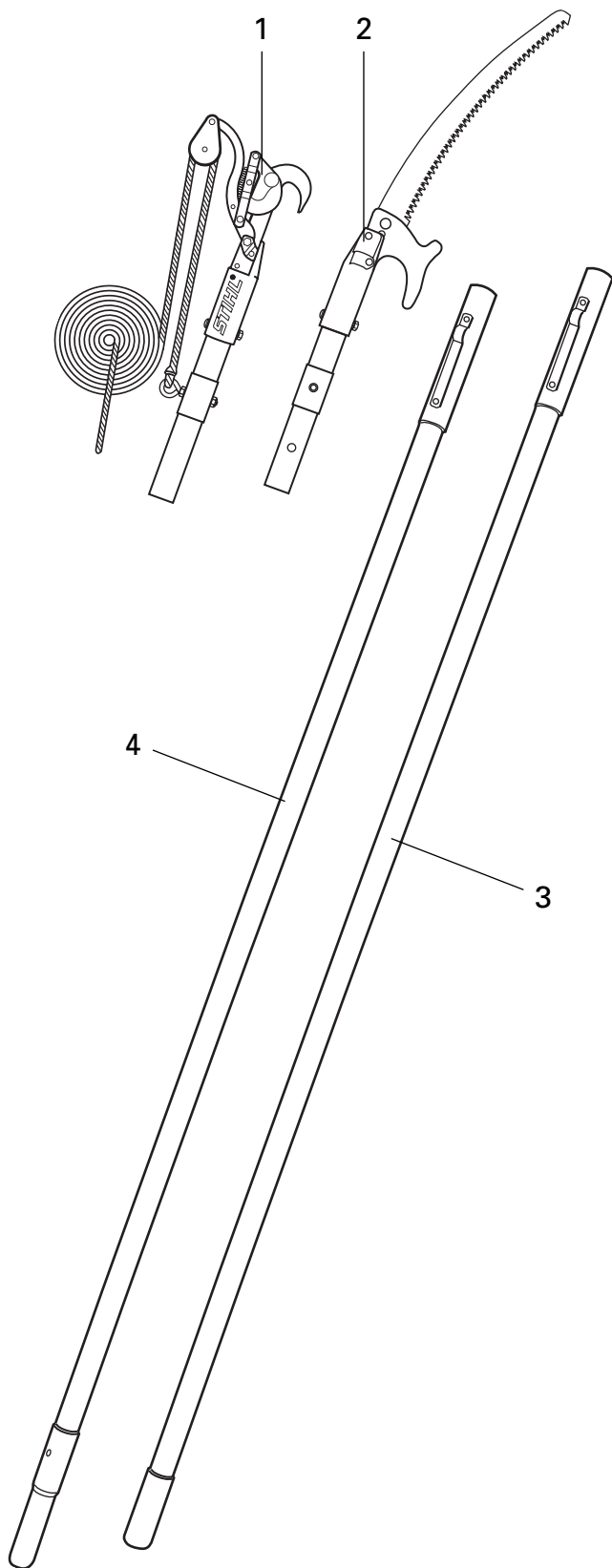
1	0000 882 1604	Bolt and Nut
2	0000 882 1605	Screws & Nuts for Blade / Handle
3	0000 882 1800	Spring
4	0000 882 1702	Rubber Bumper
5	0000 882 2000	Cutting Blade
6	0000 882 1900	Counter Blade (Hook), (includes Latch Lock Set)

Illustration J

**PP 80 Pruning Shear**



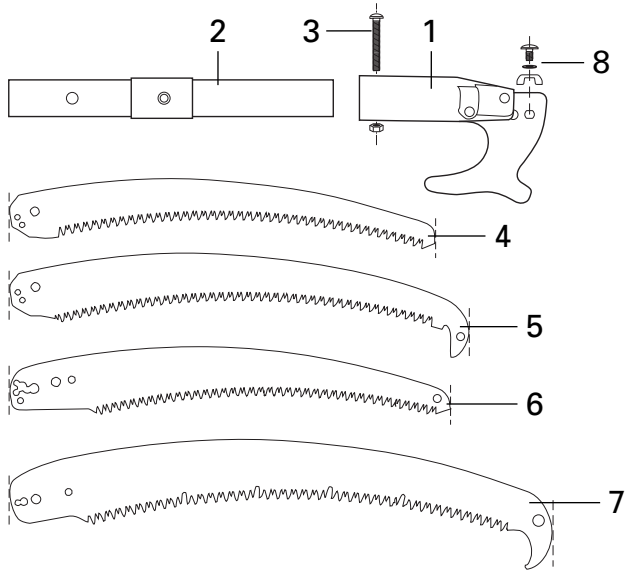
1	0000 882 1604	Bolt and Nut
2	0000 882 1605	Screws & Nuts for Blade / Handle
3	0000 882 1800	Spring
4	0000 882 1702	Rubber Bumper
5	7010 881 3601	Cutting Blade



- 1 Pruner Head (see Illustrations M and N on page 7 for detailed parts description)
- 2 Saw Head (see Illustration L on page 7 for detailed parts description)
- 3 0000 882 3100 6' Base Pole (includes Rubber Cap and Female Coupling)
- 4 0000 882 3900 6' Mid Pole (includes male and female coupling)

Illustration L

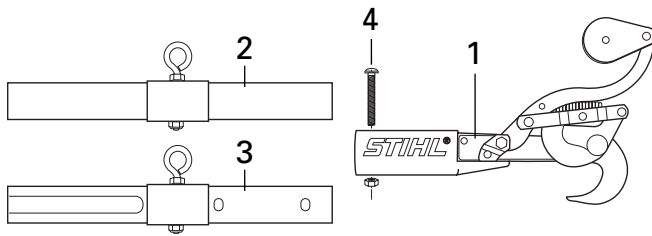
PP 900 Pole Pruner Saw Head Assembly



1	0000 882 4400	Saw Head Assembly (Accessory Item)
2	0000 882 0915	Saw Head Adapter for PP 900 Pole
3	0000 882 1615	Pole Bolt and Nut
4	7010 881 9000	Saw Blade (15.25")
5	7010 881 9001	Hook Saw Blade (16")
6	0000 882 0913	PS 70 Saw Blade (15.25")
7	0000 882 3000	PS 80 Saw Blade (18.75")
8	7010 881 3600	Bolt, Washer and Wingnut

Illustration M

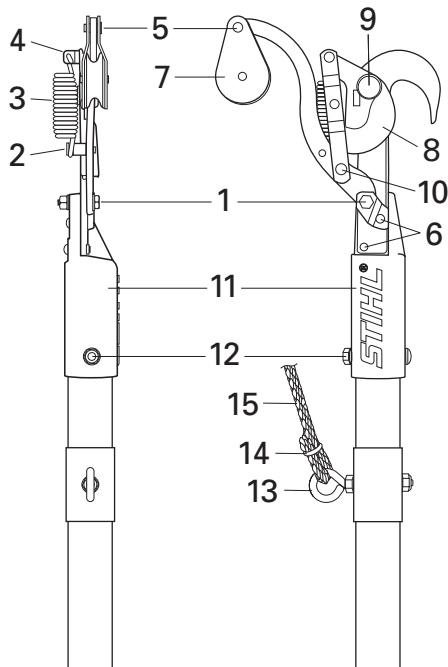
PP 900/700 Pole Pruner Head Assembly



1	0000 882 4300	Pole Pruner Head Assembly (Accessory Item)
2	0000 882 0711	Pruner Head Adapter for PP 900 Pole
3	7010 882 0704	Pruner Head Adapter for PP 700 Pole
4	0000 882 1615	Pole Bolt and Nut

Illustration N

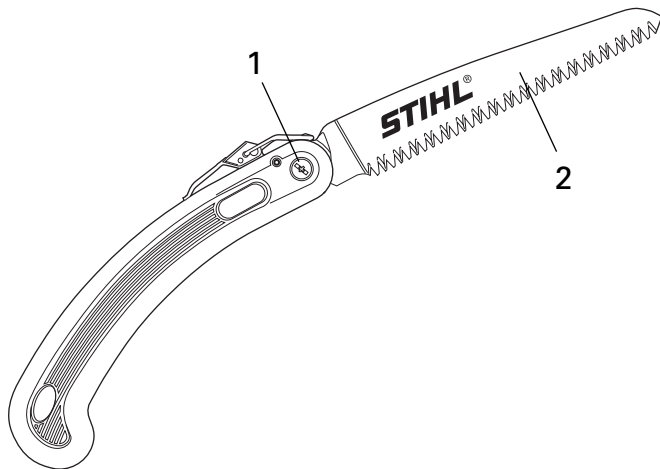
PP 900 Pole Pruner Head Parts



1	0000 882 1613	Block Bolt, Washer and Nut
2	0000 882 3300	Lower Spring Pin
3	0000 882 1803	Spring
4	0000 882 3301	Upper Spring Pin
5	0000 882 3400	Pulley Trunnion Pin
6	0000 882 3500	Steel Rivet
7	0000 882 3600	Pulley Assembly
8	0000 882 3001	Blade (Pruner)
9	0000 882 1614	Cap screw, Washer & Nut
10	0000 882 3501	Link Pin
11	0000 882 3700	Casting
12	0000 882 1615	Pole Bolt and Nut
13	0000 882 3800	Rope Anchor (Eye Bolt)
14	0000 882 4200	Rope Ring
15	0000 882 3200	14' Polyester Rope

Illustration O

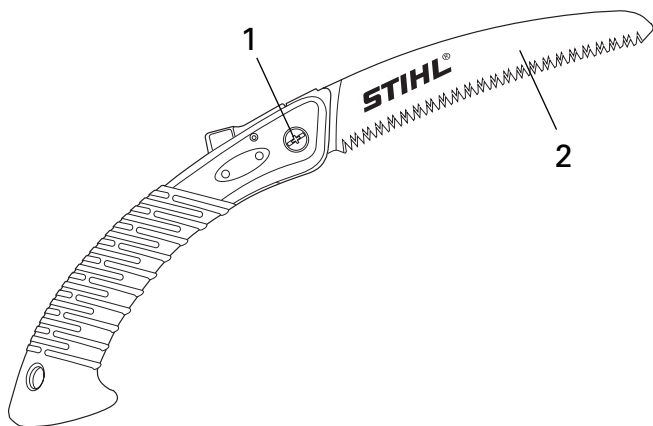
PS 10 Pruning Saw



- 1 0000 882 1608 Bolt and Nut
- 2 0000 882 0909 Replacement Saw Blade (Accessory Item)

Illustration P

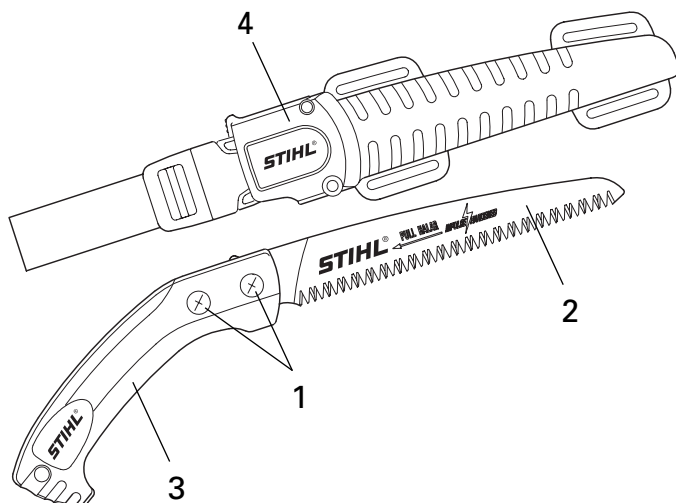
PS 30 Pruning Saw



- 1 0000 882 1609 Bolt and Nut
- 2 0000 882 0910 Replacement Saw Blade (Accessory Item)

Illustration Q

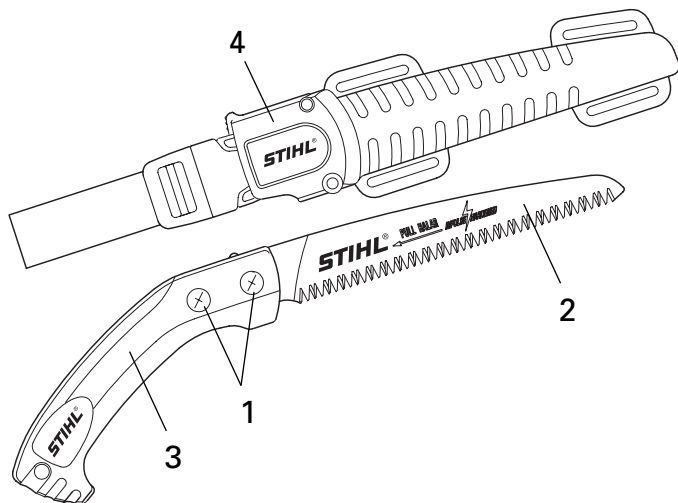
PS 40 Pruning Saw



- 1 7010 871 0158 All Bolts and Nuts
- 2 7010 881 9002 Replacement Saw Blade (Accessory Item)
- 3 7010 871 0159 Handle
- 4. *Replacement Sheath Not Available*

Illustration R

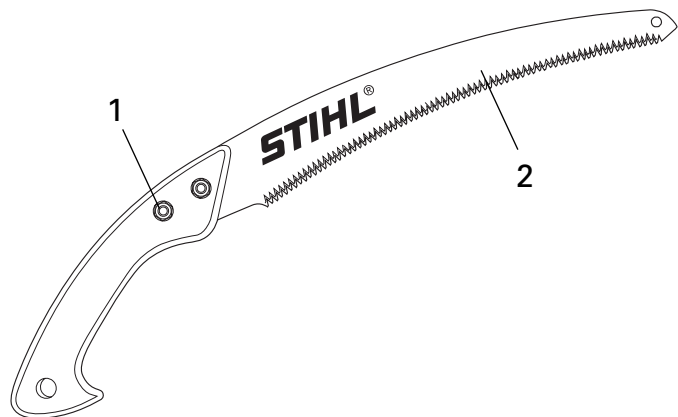
**PS 60 Pruning Saw**



- 1 7010 871 0158 All Bolts and Nuts
- 2 7010 881 9003 Replacement Saw Blade (Accessory Item)
- 3 7010 871 0159 Handle
- 4. *Replacement Sheath Not Available*

Illustration S

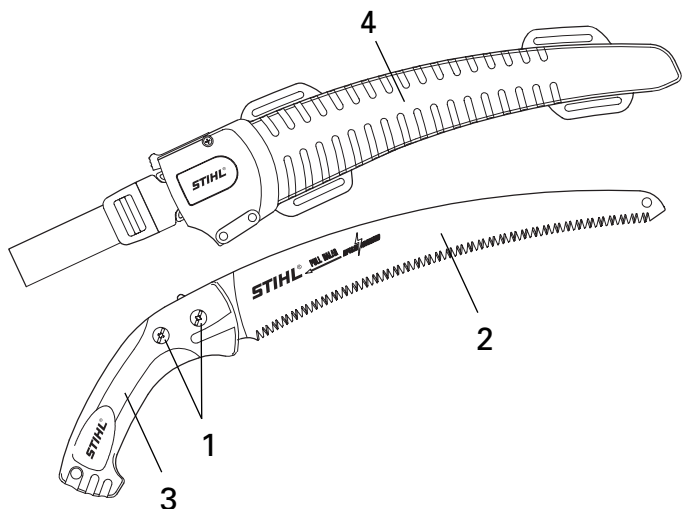
**PS 70 Pruning Saw**



- 1 0000 882 1612 Bolts and Nuts
- 2 0000 882 0913 Replacement Saw Blade (Accessory Item. Can also be installed on PP 900 pole pruner assembly.)

Illustration T

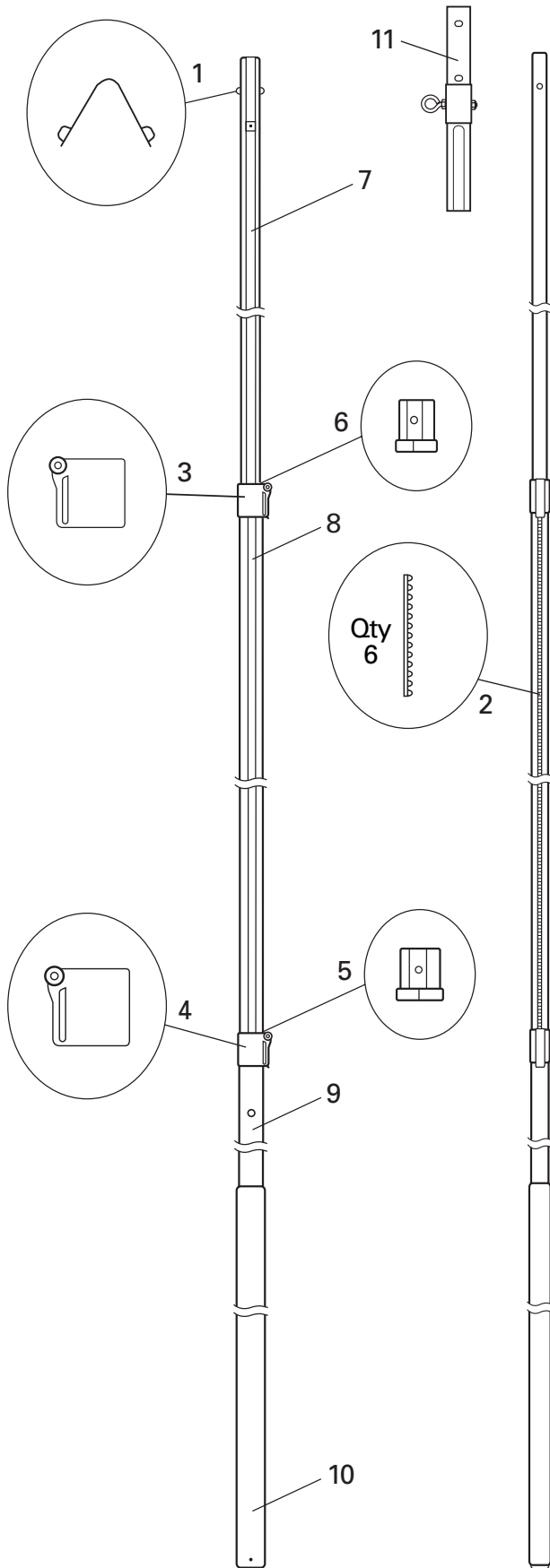
**PS 90 Pruning Saw**



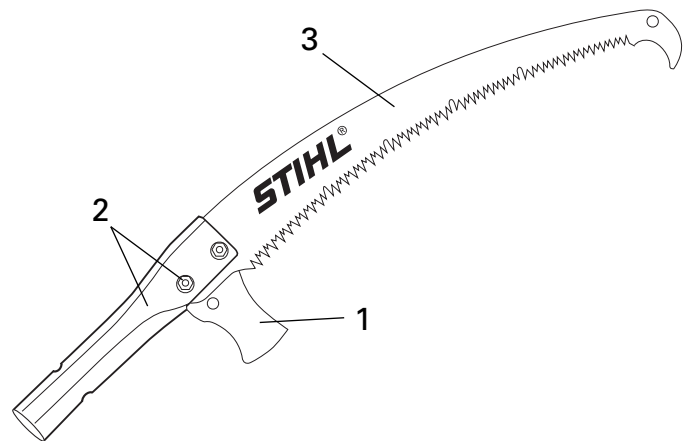
- 1 7010 871 0158 All Bolts and Nuts
- 2 7010 881 9004 Replacement Saw Blade (Accessory Item)
- 3 7010 871 0160 Handle
- 4. *Replacement Sheath Not Available*

See page 11 for detailed parts description

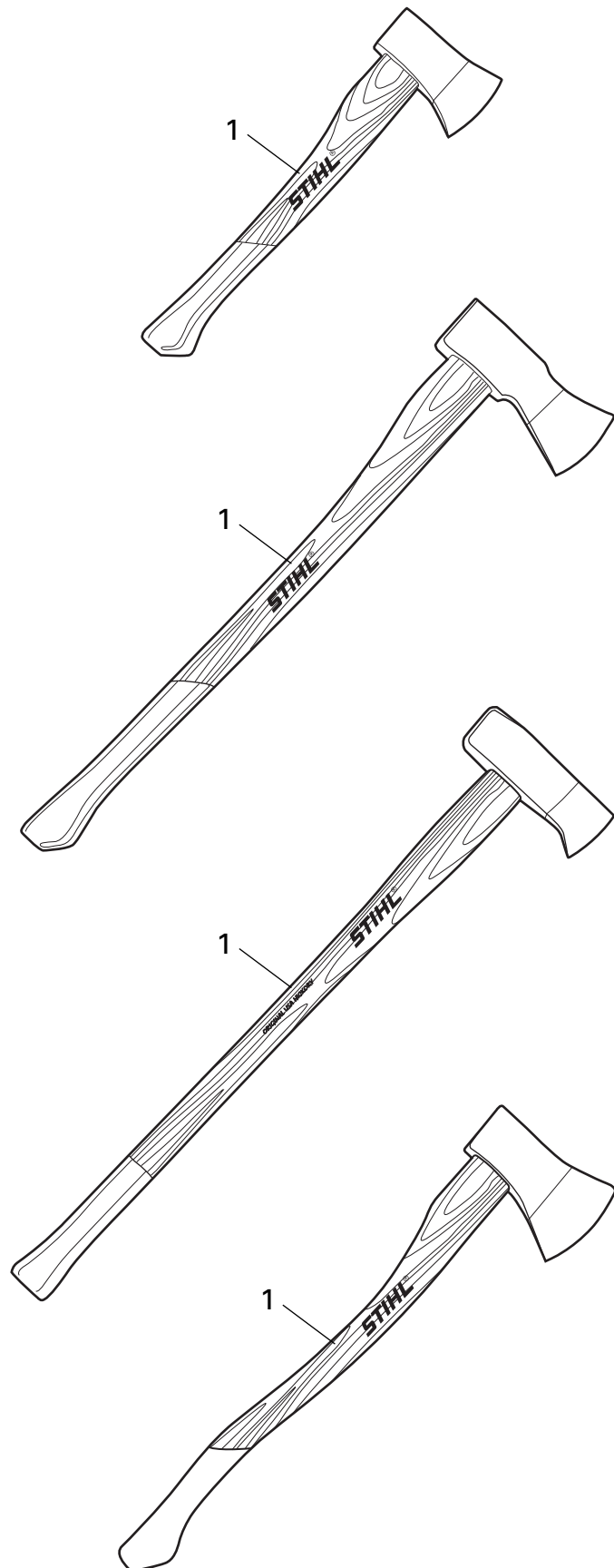




- 1 0000 882 2500 Press Button
- 2 0000 882 2400 Plastic Guide (Middle Pole Only) 6 required
- 3 0000 882 2601 Stopper Set for Middle Pole
- 4 0000 882 2600 Stopper Set for Lower Pole
- 5 0000 882 2300 Endcap for Middle Pole
- 6 0000 882 2301 Endcap for Upper Pole
- 7 0000 881 4137 Upper Pole
- 8 0000 881 4138 Middle Pole
- 9 0000 881 4139 Lower Pole
- 10 0000 881 4140 Handle Grip Cover
- 11 7010 882 0704 Pruner Head Adapter for PP 700 Pole



- 1 0000 882 2700 Replacement Bark Cutter Only (Accessory Item)
- 2 0000 882 2800 Grip, Nuts and Bolts
- 3 0000 882 3000 Replacement Saw Blade (Accessory Item. Can also be installed on PP 900 pole pruner assembly.)
- 0000 882 2900 Plastic Sheath (Accessory Item - not shown)



**PA 20 Splitting Hatchet**

1 7010 882 4700 Handle Kit (includes handle, wedge, and retaining rings)

**PA 50 Splitting Axe**

1 7010 882 4701 Handle Kit (includes handle, wedge, and retaining rings)

**PA 80 Splitting Maul**

1 7010 882 4702 Handle Kit (includes handle, wedge, and retaining rings)

**PA 100 Felling Axe**

1 7010 881 1902 Handle Kit (includes handle, wedge, and retaining rings)

Inside Back Cover Blank

Please remove this text before printing

***STIHL***®

536 Viking Drive  
Virginia Beach, VA 23452  
800-GO STIHL (800-467-8445)  
[www.stihlusa.com](http://www.stihlusa.com)